

MODEL RC2163E

AIR OPERATED POOL-TO-SPA CONTROL
IN RAINPROOF (TYPE 3R) ENCLOSURE SUITABLE FOR POOL/SPA APPLICATIONS
FILTER PUMP: 1.5 HP-120V., 3 HP-240V. MAX.
VALVE ACTUATOR: 24V. UP TO 3 ACTUATORS



CAUTION, RISK OF ELECTRIC SHOCK

Install at least 5 ft. (3 meters for Canadian installations) from inside edge of pool/spa. Mount at least 1 ft. (30 cm) above ground with arrows up.
 ...do not permit children to operate this control or use the Pool/Spa unless they are closely supervised at all times.
 ...always disconnect electricity before servicing this control or the equipment connected to it. **THIS CONTROL IS NOT TO BE USED AS A POWER DISCONNECT.**

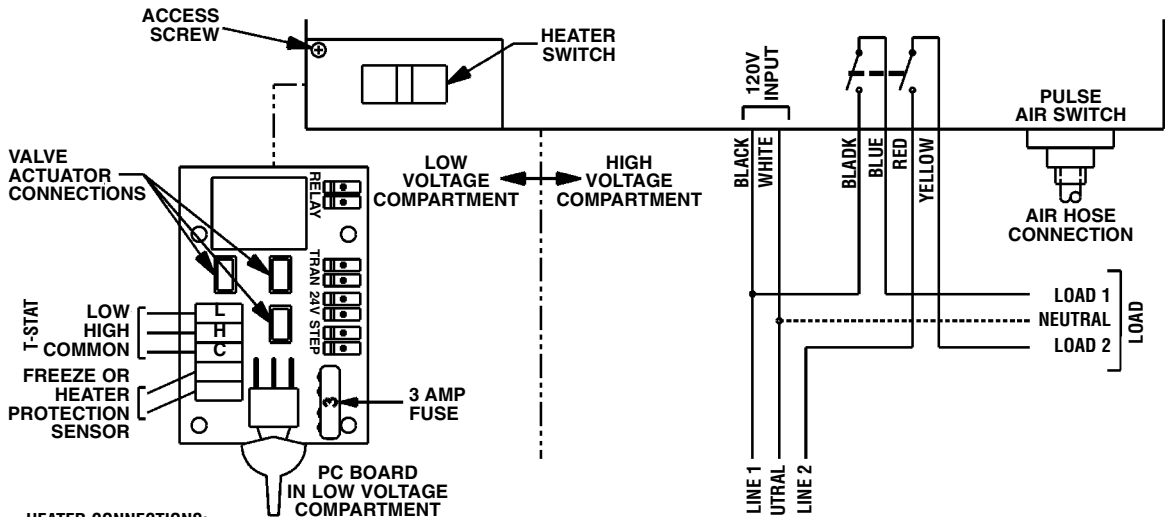
This Air Control is designed to operate the filter pump of a pool and spa combination on a 24 hour schedule safely, without electricity at the spa side. The timer will automatically turn ON/OFF the pump for the daily filtration cycle(s). By pressing the air button on the spa side, the Filter Pump, Valves and Heater will function in the following sequences:

EQUIPMENT	POOL MODE SEQUENCE #1	SPA MODE SEQUENCE #2
Filter Pump Valves Heater	Timer Controlled Set to Pool Circulation Pool Temperature Setting	"ON" (continuous) Set to Spa Circulation Spa Temperature Setting

Additional components may be used - see Service Manual for more details.

TO WIRE - Follow diagram below. Wire according to National Electric Code (including article 680) and Local Electrical Code Requirements. Use COPPER conductors **ONLY**. For supply connections, use conductors sized on the basis of 60°C ampacity but rated minimum 75°C. Ground/bond installation. Install deadfront. **KEEP DOOR CLOSED AT ALL TIMES.**

IMPORTANT: NEUTRAL MUST BE CONNECTED TO WHITE LEAD



HEATER CONNECTIONS:

SINGLE THERMOSTAT: Connect two 18 gauge wires in **SERIES** with heater toggle switch.

Install **JUMPER** between terminals 1 and 2. Place heater switch in **ON** position.

DUAL THERMOSTAT: Connect three 18 gauge wires in **PARALLEL** with heater toggle switch.

Connect center post (COMMON) to term. 3, LOW to term. 1 and HIGH to term. 2. Place heater switch in **OFF** position.

120 Volt Hook-Up: Connect the two BLACK leads to LINE. Connect WHITE lead of Control and WHITE lead of LOAD to NEUTRAL. Connect BLUE lead of Control to LOAD (BLACK lead). RED and YELLOW leads are not used and must be insulated (capped). Valve actuator and heater connections are the same as the 240 Volt hook-up as shown.

INTERMATIC INCORPORATED
 SPRING GROVE, ILLINOIS 60081-9698

158AS11123