

# MODEL RC2163BFE

## REMOTELY OPERATED POOL-TO-SPA CONTROL

IN RAINPROOF (TYPE 3R) ENCLOSURE SUITABLE FOR POOL/SPA APPLICATIONS AND FOR DIRECT CONNECTION OF UNDERWATER LIGHTS.

100 AMP. 120/240 VOLT OR 120/208 VOLT SINGLE PHASE (THREE WIRE) AC.

FILTER PUMP: 1.5 HP-120V., 3 HP-240V. MAX.

VALVE ACTUATOR: 24V. UP TO 3 ACTUATORS

The short circuit rating of this panel is 10000 symmetrical amperes.



### CAUTION, RISK OF ELECTRIC SHOCK

Install at least 5 ft. (3 meters for Canadian installations) from inside edge of pool/spa. Mount at least 1 ft. (30 cm) above ground with arrows up.

...do not permit children to operate this control or use the Pool/Spa unless they are closely supervised at all times

...test GROUND FAULT protection regularly. If it fails to reset, DO NOT USE THE POOL or SPA!

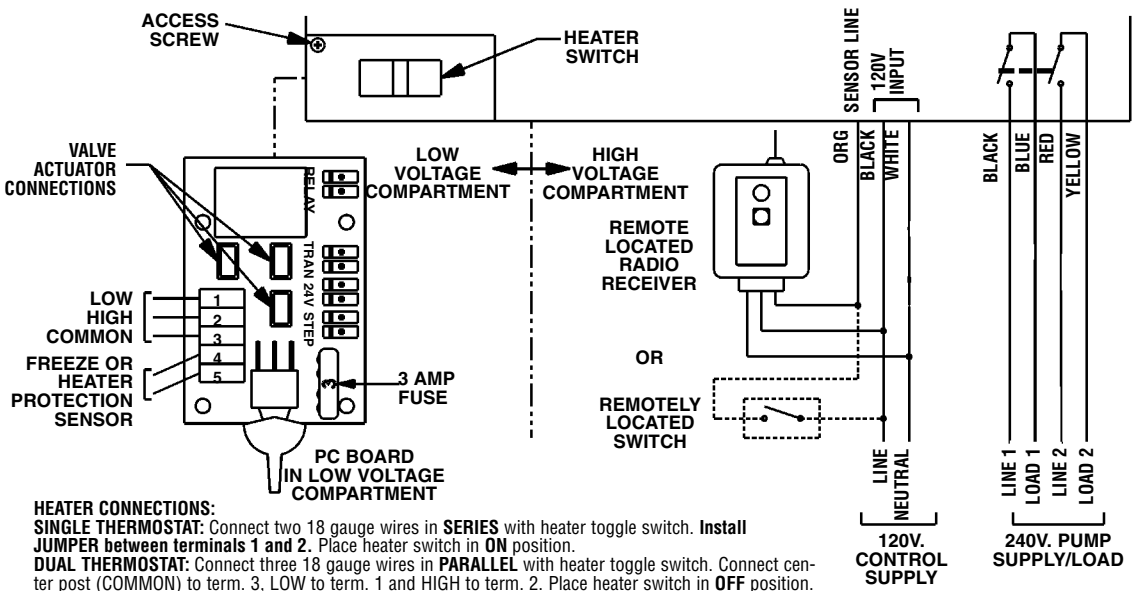
...always disconnect electricity before servicing this control or the equipment connected to it. **THIS CONTROL IS NOT TO BE USED AS A POWER DISCONNECT.**

This Control is designed to operate the filter pump of a pool and spa combination on a 24 hour schedule safely, without electricity at the spa side. The timer automatically turns ON/OFF the pump for the daily filtration cycle(s). By activating the control from a remote location, the Filter Pump, Valves and Heater will function in the following sequences:

EQUIPMENT	POOL MODE SEQUENCE #1	SPA MODE SEQUENCE #2
Filter Pump Valves Heater	Timer Controlled Set to Pool Circulation Pool Temperature Setting	"ON" (continuous) Set to Spa Circulation Spa Temperature Setting

Additional components may be used - see Service Manual for more details.

### IMPORTANT: NEUTRAL MUST BE CONNECTED TO WHITE LEAD.



#### HEATER CONNECTIONS:

**SINGLE THERMOSTAT:** Connect two 18 gauge wires in **SERIES** with heater toggle switch. Install

**JUMPER** between terminals 1 and 2. Place heater switch in **ON** position.

**DUAL THERMOSTAT:** Connect three 18 gauge wires in **PARALLEL** with heater toggle switch. Connect center post (COMMON) to term. 3, LOW to term. 1 and HIGH to term. 2. Place heater switch in **OFF** position.

**120 Volt Hook-Up:** Connect the two BLACK leads to LINE. Connect WHITE lead of Control and WHITE lead of LOAD to NEUTRAL. Connect BLUE lead of Control to BLACK lead of LOAD. RED and YELLOW leads are not used and must be insulated (capped). Valve actuator and heater connections are the same as the 240 Volt hook-up as shown.

**INTERMATIC INCORPORATED**  
SPRING GROVE, ILLINOIS 60081-9698